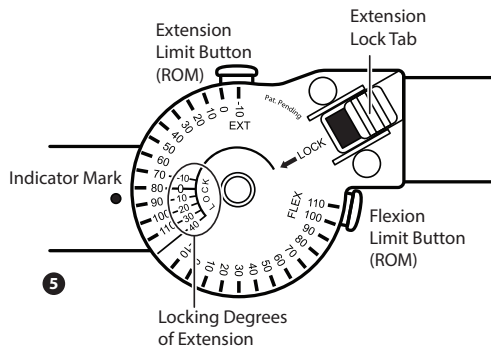


5 HINGE INSTRUCTIONS

5a SET RANGE-OF-MOTION (ROM)

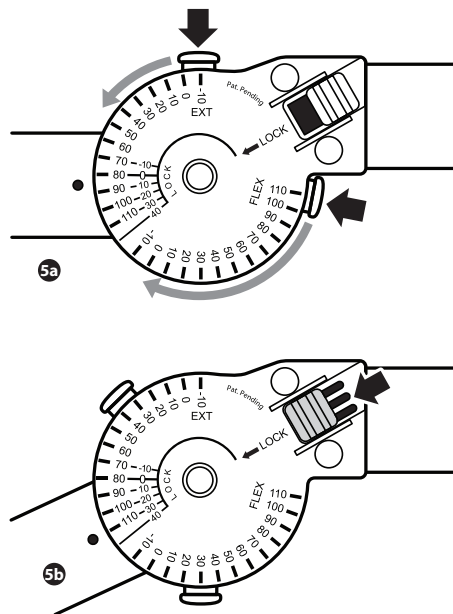
Depress Extension Button and slide to desired ROM setting. Depress Flexion Button and slide to desired ROM setting. Adjust opposite hinge to match the setting of first hinge (this step is vital to ensure proper knee protection).

NOTE: ROM settings automatically lock into place.



5b LOCK HINGE

Lock hinge at a desired -10, 0, 10, 20, 30, or 40. Bend the leg to desired setting and engage lock. This will lock the brace in place independent of ROM settings. Make sure ROM settings do not interfere with desired lock setting.



This device is offered for sale by or on the order of a physician or other qualified medical professional. This device is not intended for reuse on a second patient or for extended use beyond 180 days. This device is not intended to prevent injuries or reduce or eliminate the risk of reinjury.

Indications: Indicated for immediate application to knees for locked or limited motion control of knee during rehabilitation after operative procedures or injury to knee ligaments, cartilage, or stable or internally fixed fractures of the tibial plateau, condyles, or proximal tibia and distal femur.

Contraindications: Contraindicated for unstable fractures or for fractures of the proximal femur or the distal tibia or fibula.

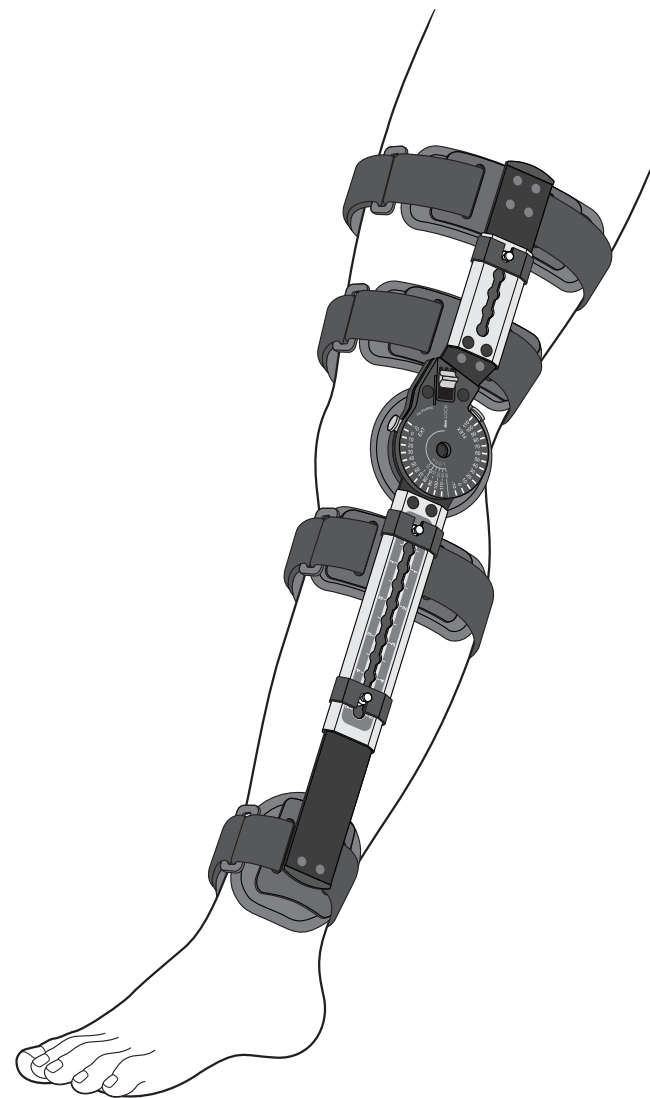
WARNING: Do not leave this device in a car on a hot day or in any other place where the temperature may exceed 150° F (65° C) for any extended period of time. If any additional pain or symptoms occur while using this device, discontinue use and seek medical attention.

If any serious incident has occurred in relation to the device, report to Breg and the competent authority of the Member State in which the user and/or patient is established.

BREG

WEE ROM KNEE

INSTRUCTIONS FOR USE



BREG

© 2023 Breg, Inc. All Rights Reserved
2382 Faraday Avenue, Suite 300
Carlsbad, CA 92008 USA
Toll Free Tel: 1-800-321-0607
Local: +1-760-795-5440
Fax: +1-760-795-5295
www.Breg.com

CE

EC REP

MD

E/U authorized representative
MDSS GmbH
Schiffgraben 41
D-30175 Hannover
Germany

AW-CP020283 Rev C 10/23

- 1 RELEASE ALL FOUR STRAPS**
Pull each strap through the D-ring and attach it back on itself to prevent entanglement.

- 2 FIT THE BRACE**
Hold the brace beside the leg to determine the proper length, aligning the hinge with the center of the knee.

- 3a SET CALF AND THIGH LENGTH**
Slide the locking clip to free the length adjustment button.

- 3b** Depress the length adjustment button and slide the calf section until the ankle plates are just above the ankle bones.

- 3c** Slide the locking clip back over the length adjustment button.

- 3d** Repeat length adjustment for the thigh.

- 4a APPLY THE BRACE**
With the leg extended, slide the brace underneath the leg with the closures at the front. Make sure the center of the hinge is aligned with the knee.

- 4b** To adjust the straps, lift the strap (on the opposite side from the D-ring) off the paddle to release the strap from the hook fastener that holds the strap in place. Pull the strap through the plastic plates until all of the slack is removed and the strap is secure against the back of the leg. Reattach the strap to the plate and make sure the uprights maintain the midline position on the leg.

- 4c** Fasten the straps by sliding each through the D-ring and pulling the strap back upon itself to the desired tension and attaching it to the double-sided hook.

